

QUICK FREEZE REFRIGERATOR

(Semi-Contact Blast Freezer)

- ✓ Fast freeze food ingredients and produce lesser ice crystals to maintain raw, cooked or semi-finished food ingredients quality.
- ✓ Suitable for foodstuffs or fresh produce like aquatic product, fruits, vegetable, wheaten food, cut meal, etc.
- ✓ Various types of capacity available according to the customer's needs.



v Suitable for products :



meat



prawn



sauce



seafood



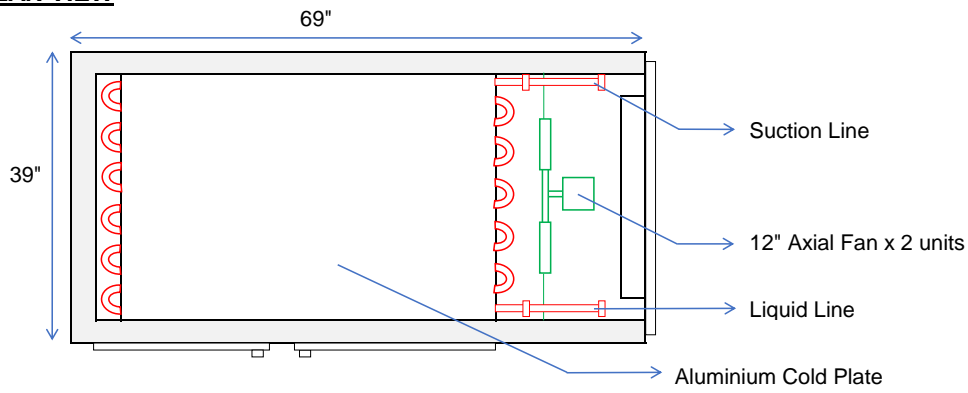
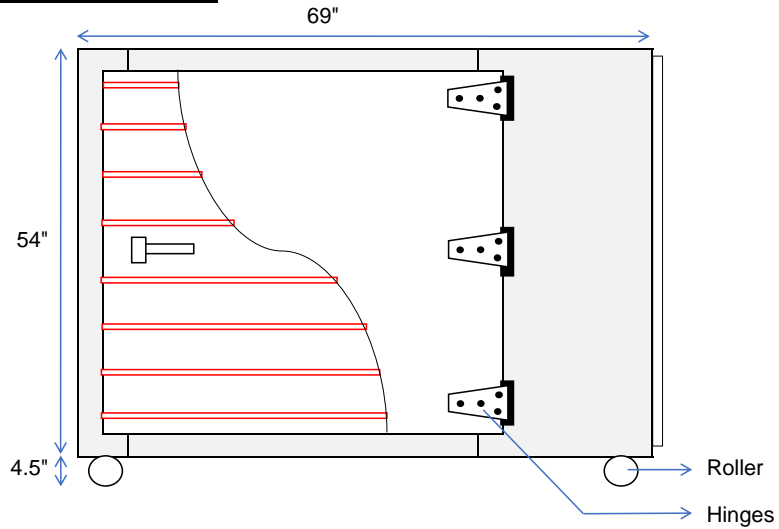
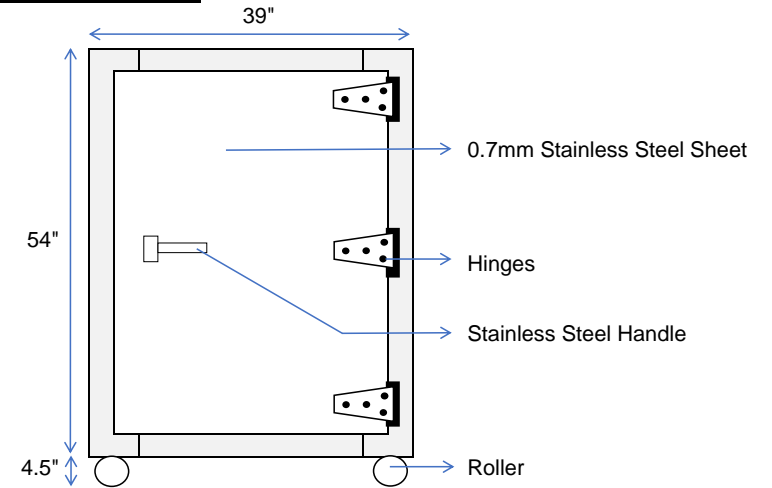
fish



fruit

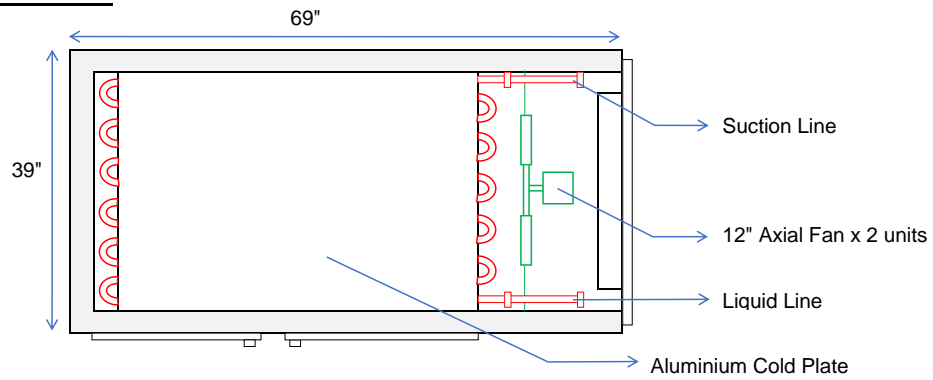
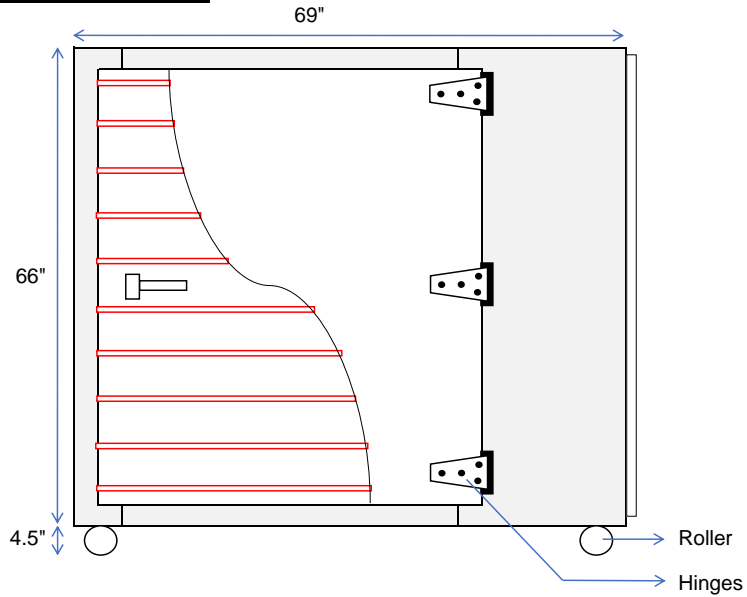
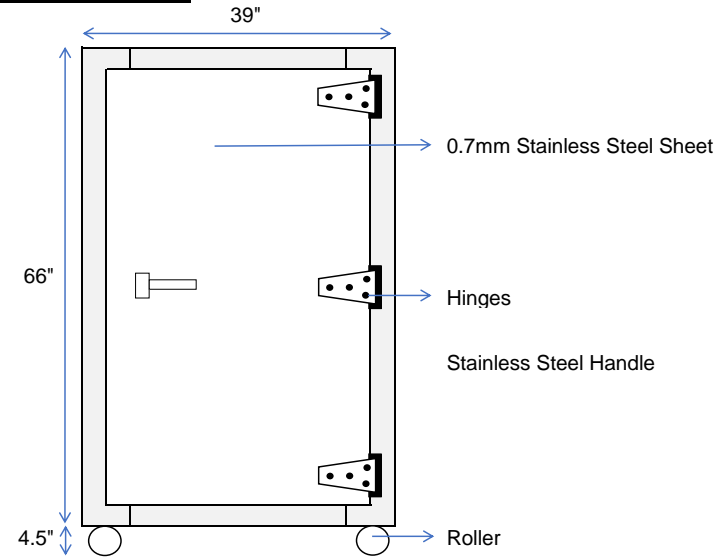


food

PLAN VIEW**FRONT ELEVATION****SIDE ELEVATION**

Specification	Model : SSC300
Door	One Swing Door & One Service Door
Plate	3mm Aluminium Alloy Extruded Plate (prevent corrosive)
Freezing Capacity	300kg
Number of Plate	7 Tiers (8 pcs Cold Plate)
Freezing Plate Size	43" (L) X 30" (W)
Tier Pitch	140mm (5-1/2")
Insulation	75mm (3") Polyurethane
Evaporating Temperature	-40°C
Fan	300mm (12") x 2 units
Freezing Time (-40°C)	1 hour (without any load) 3 to 4 hours (with full load)
Condensing Unit	1 set of 8HP low temp. scroll compressor
Refrigerant	R-507
Dimension (L x W x H)	1753mm X 991mm X 1499mm (69" X 39" X 59")

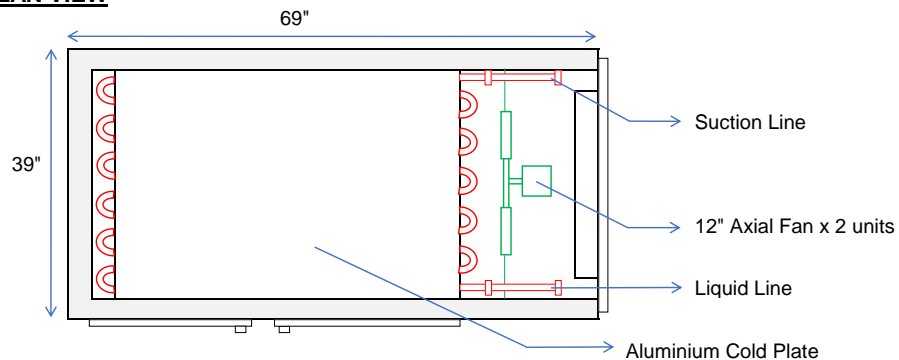
**** ALL PARTS WARRANTY FOR 1 YEAR ****

PLAN VIEW**FRONT ELEVATION****SIDE ELEVATION**

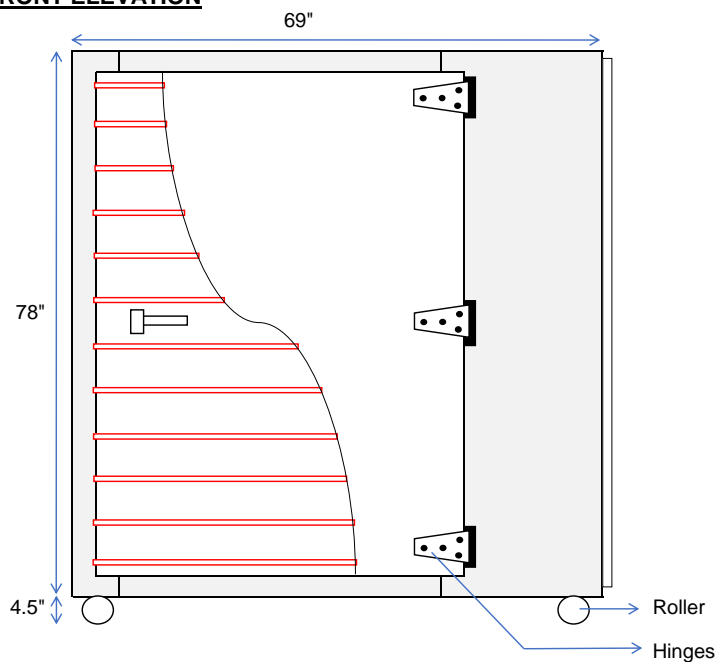
Specification	Model : SSC400
Door	One Swing Door & One Service Door
Plate	3mm Aluminium Alloy Extruded Plate (prevent corrosive)
Freezing Capacity	400kg
Number of Plate	9 Tiers (10 pcs Cold Plate)
Freezing Plate Size	43" (L) X 30" (W)
Tier Pitch	140mm (5-1/2")
Insulation	75mm (3") Polyurethane
Evaporating Temperature	-40°C
Fan	300mm (12") x 2 units
Freezing Time (-40°C)	1 hour (without any load) 3 to 4 hours (with full load)
Condensing Unit	1 set of 10HP low temp. scroll compressor
Refrigerant	R-507
Dimension (L x W x H)	1753mm X 991mm X 1803mm (69" X 39" X 71")

**** ALL PARTS WARRANTY FOR 1 YEAR ****

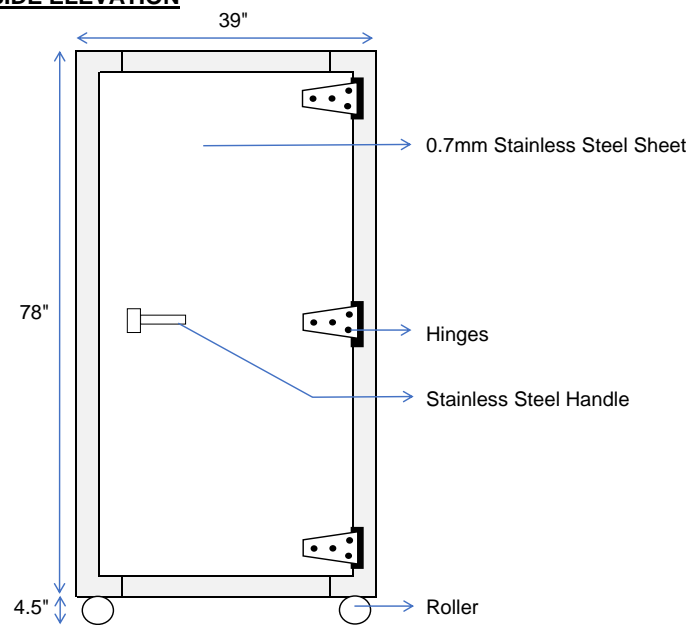
PLAN VIEW



FRONT ELEVATION



SIDE ELEVATION



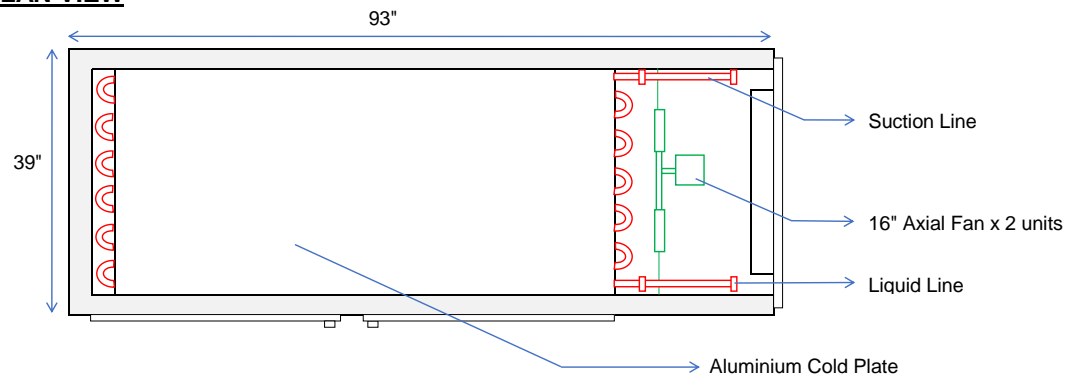
Specification	Model : SSC500
Door	One Swing Door & One Service Door
Plate	3mm Aluminium Alloy Extruded Plate (prevent corrosive)
Freezing Capacity	500kg
Number of Plate	11 Tiers (12 pcs Cold Plate)
Freezing Plate Size	43" (L) X 30" (W)
Tier Pitch	140mm (5-1/2")
Insulation	75mm (3") Polyurethane
Evaporating Temperature	-40°C
Fan	300mm (12") x 2 units
Freezing Time (-40°C)	1 hour (without any load) 3 to 4 hours (with full load)
Condensing Unit	1 set of 12HP low temp. scroll compressor
Refrigerant	R-507
Dimension (L x W x H)	1753mm X 991mm X 2108mm (69" X 39" X 83")



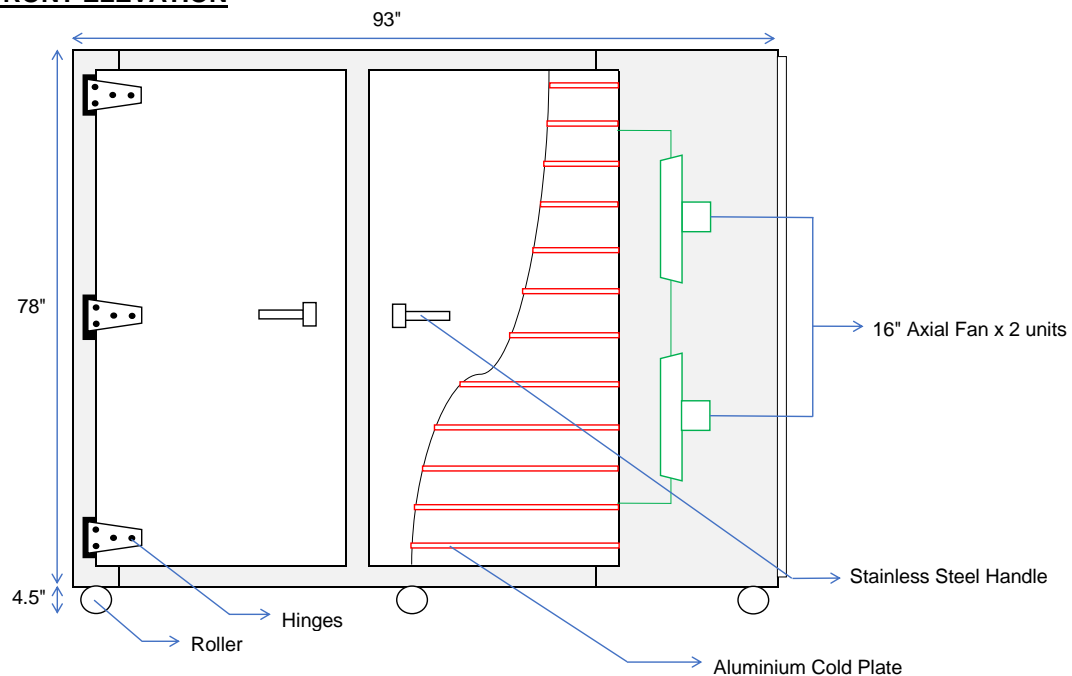
Gross Weight : 480kgs
Condensing Unit : 240kgs

**** ALL PARTS WARRANTY FOR 1 YEAR ****

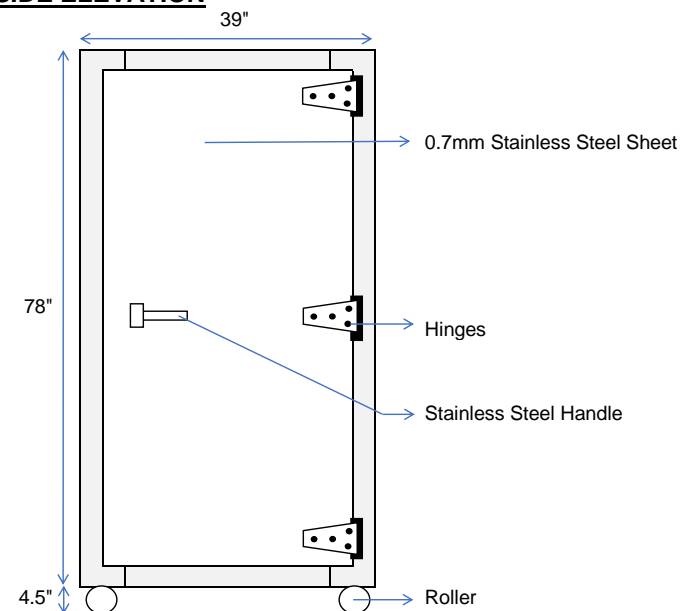
PLAN VIEW



FRONT ELEVATION



SIDE ELEVATION

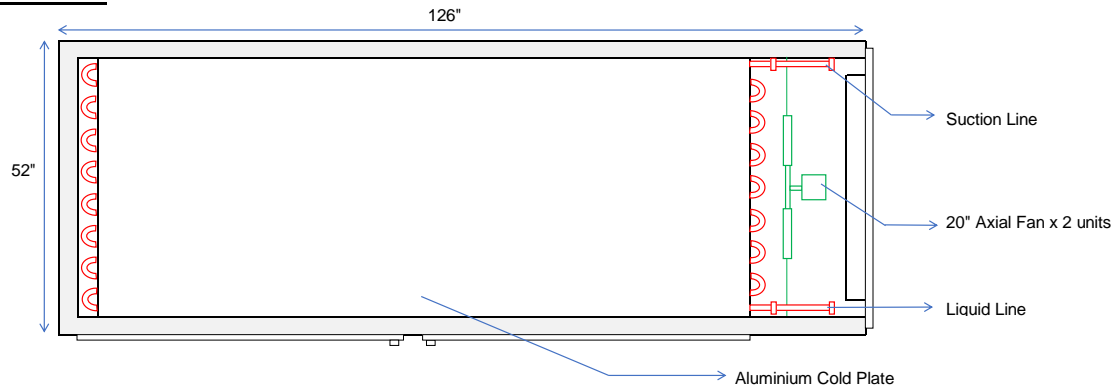


Specification	Model : SSC800
Door	Two Swing Door & One Service Door
Plate	3mm Aluminium Alloy Extruded Plate (prevent corrosive)
Freezing Capacity	800kg
Number of Plate	11 Tiers (12 pcs Cold Plate)
Freezing Plate Size	67" (L) X 30" (W)
Tier Pitch	140mm (5-1/2")
Insulation	75mm (3") Polyurethane
Evaporating Temperature	-40°C
Fan	400mm (16") x 2 units
Freezing Time (-40°C)	1 hour (without any load) 3 to 4 hours (with full load)
Condensing Unit	1 set of 18HP low temp. scroll compressor
Refrigerant	R-507
Dimension (L x W x H)	2362mm X 991mm X 2108mm (93" X 39" X 83")

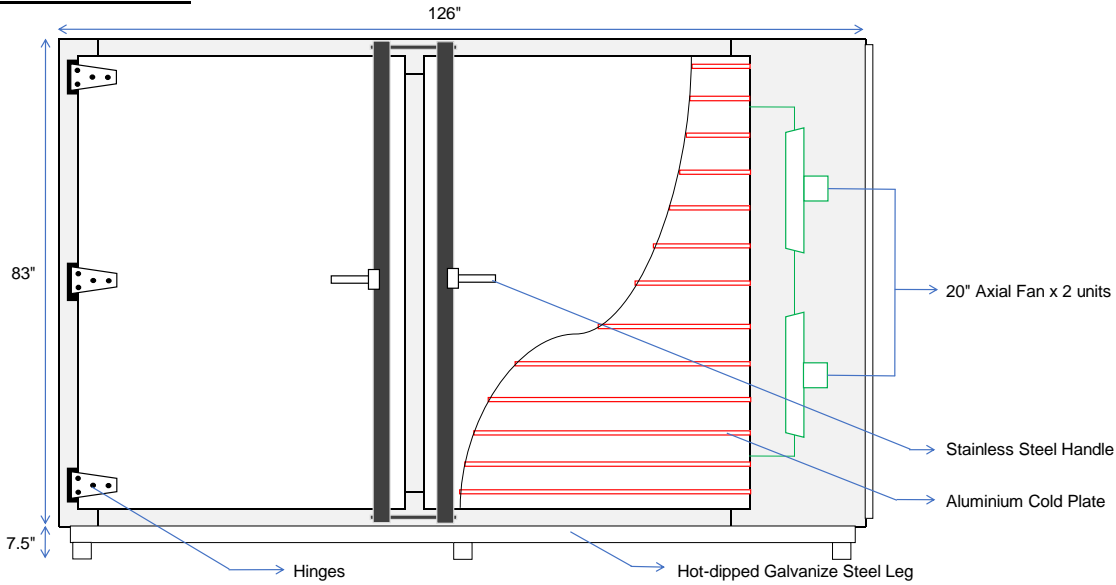
**** ALL PARTS WARRANTY FOR 1 YEAR ****



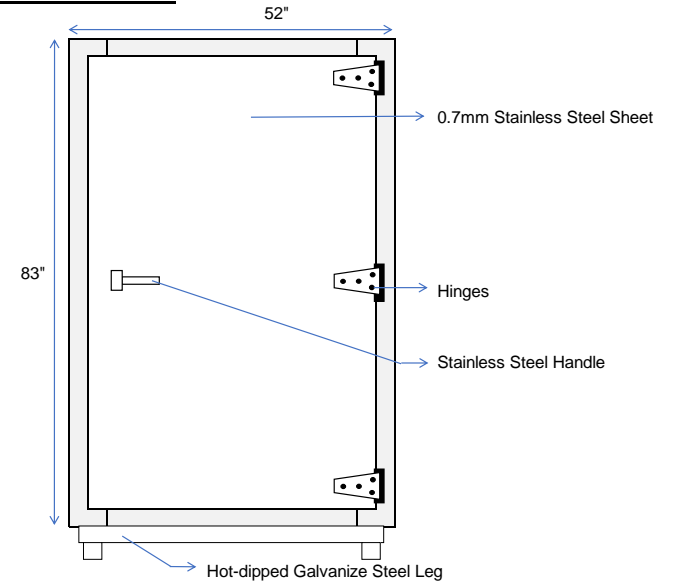
PLAN VIEW



FRONT ELEVATION



SIDE ELEVATION



Specification	Model : SSC1500
Door	Two Swing Door & One Service Door
Plate	3mm Aluminium Alloy Extruded Plate (prevent corrosive)
Freezing Capacity	1500kg
Number of Plate	12 Tiers (13 pcs Cold Plate)
Freezing Plate Size	96" (L) X 40" (W)
Tier Pitch	140mm (5-1/2")
Insulation	100mm (4") Polyurethane
Evaporating Temperature	-40°C
Fan	500mm (20") x 2 units
Freezing Time (-40°C)	1 hour (without any load) 3 to 4 hours (with full load)
Condensing Unit	1 set of 2 stage 30HP low temp. semi-hermetic compressor
Refrigerant	R-507
Dimension (L x W x H)	3200mm X 1321mm X 2108mm (126" X 52" X 83")



**** ALL PARTS WARRANTY FOR 1 YEAR ****